

DIRECT-DRIVE TURNTABLE

# KD-750

INSTRUCTION MANUAL



*the sound approach to quality*  
 **KENWOOD**

PRINTED IN JAPAN B50-2264-00 (PM) (T)

12345/847 6789ON/848 D12345/949 6789ON/950 D12345/051

# INTRODUCTION

Thank you for purchasing our turntable. Because we take great pride in the long tradition of quality components the name KENWOOD represents, your choice of our product places you in a distinguished family of connoisseurs of superb high-fidelity sound reproduction.

The purpose of this manual is to acquaint you with the operating features of your new turntable. You will notice that in every detail of planning, engineering, styling, operating convenience, and adaptability, we have sought to anticipate your needs and desires.

We suggest that you read this manual carefully. Knowing how to set up your turntable, to the best advantage, will enhance your listening pleasure right from the start. You will also become aware of the ease with which you can adjust your turntable to meet your special requirements.

## SERIAL NUMBER

Record your SERIAL NUMBER on the spaces designated on the warranty card. You will find the serial number on the back of the unit.

## AFTER UNPACKING

After unpacking, we recommend you inspect and examine the unit for any possible shipping damage. If your unit is damaged or fails to operate, notify your dealer immediately. If your unit was shipped to you directly, notify the shipping company without delay. Only the consignee (the person or company receiving the unit) can file a claim against the carrier for shipping damage.

We recommend you retain the original carton and packing materials to prevent any damage should you transport or ship your unit in the future.

**WARNING:**  
**TO PREVENT FIRE OR SHOCK HAZARD, DO NOT EXPOSE THIS APPLIANCE TO RAIN OR MOISTURE.**

# NOTES

## CONCERNING LINE VOLTAGE

- Units shipped to the countries listed in the table below are designed to be operated with the AC line voltages that are shown, which are standard in those countries.

Destination	AC Voltage
U.S.A.	120V
CANADA	120V
U.K.	240V
AUSTRALIA	240V

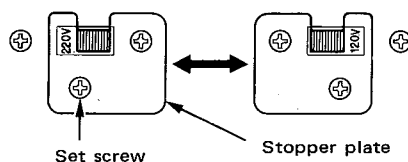
- These units are therefore not equipped with an AC Voltage Selector. The owners of such units should disregard all reference to these items in this Instruction Manual.

## AC VOLTAGE SELECTOR

- Units shipped to countries not listed in the above table are equipped with an AC Voltage Selector on the back of the unit that is preset at the factory to the voltage generally available in the destination area. Before operating this turntable, make sure that the position of the AC Voltage Selector matches your line voltage.

This setting is correct for 220 V AC power source.

This setting is correct for 120 V AC power source.



- If the setting of the AC Voltage Selector Switch on your unit is not set correctly to your line voltage, it must be reset.

First remove the AC plug and reset switch to your line voltage as follows:

1. Remove the set screw and stopper plate.
2. Switch the lever to opposite side.
3. Lock the lever by attaching stopper plate with the set screw.

- Our warranty does not cover damage caused by excessive line voltage due to improper setting of the AC Voltage Selector Switch.

# PARTS NOMENCLATURE

- Immediately after unpacking, check the parts to confirm that none are missing.
- Assemble the turntable, according to the instructions on Page 4.

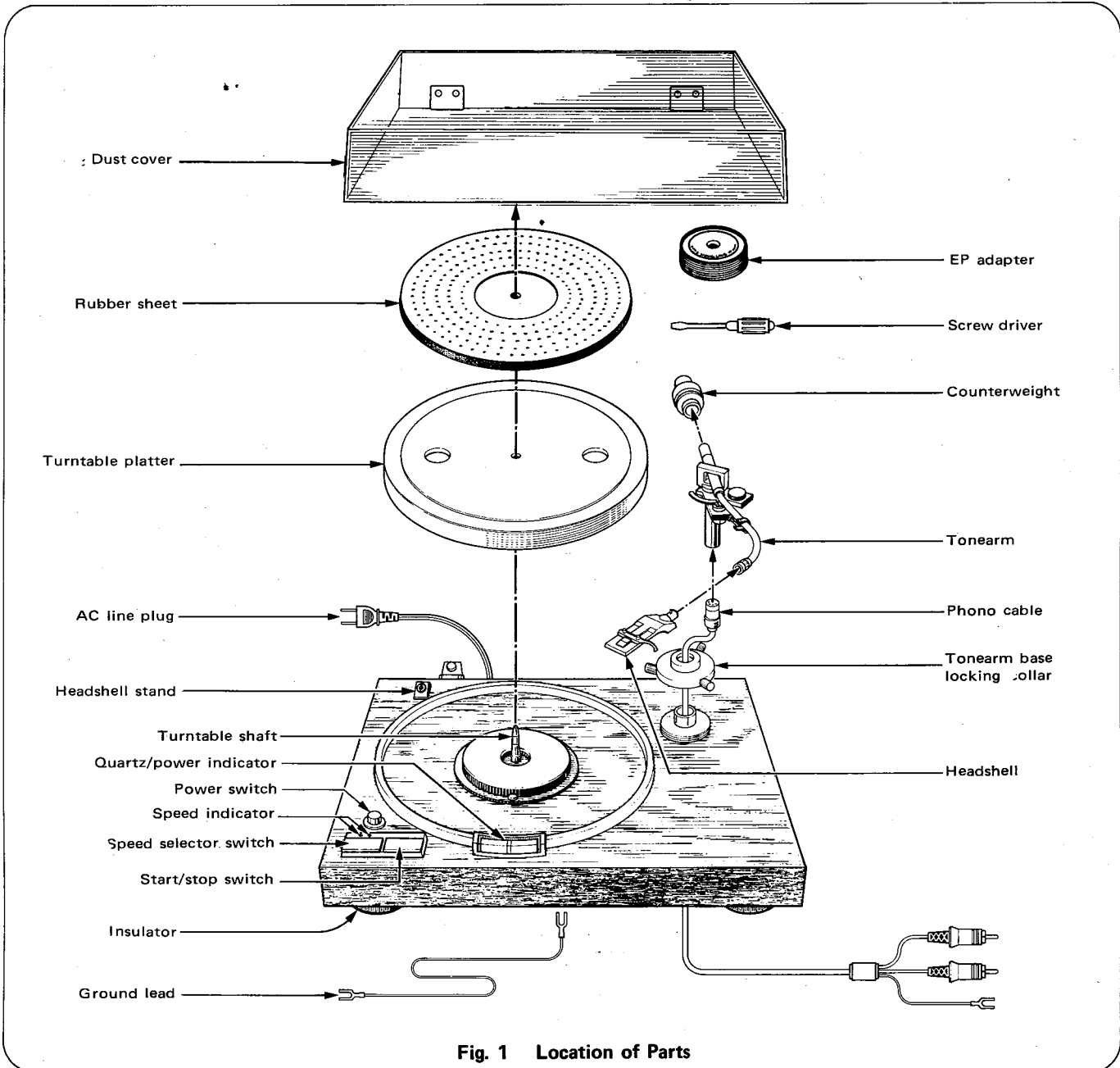


Fig. 1 Location of Parts

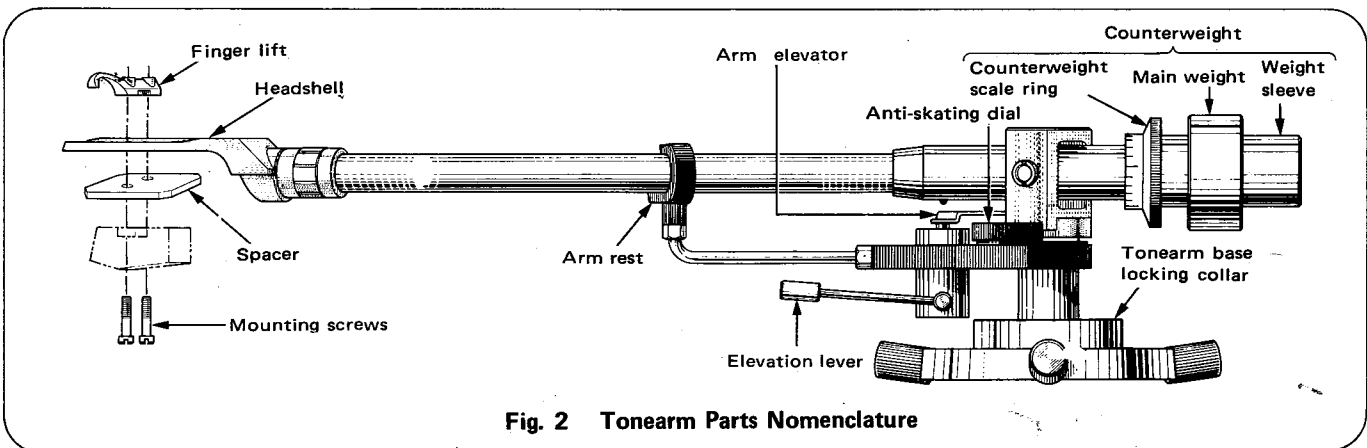
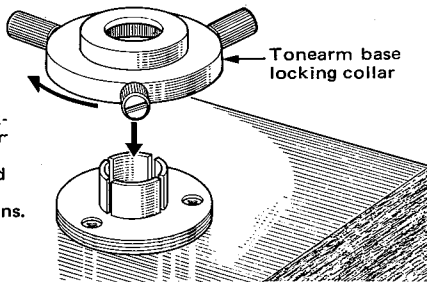


Fig. 2 Tonearm Parts Nomenclature

# ASSEMBLY PROCEDURE

Assemble parts in the sequence indicated by the numbers below.

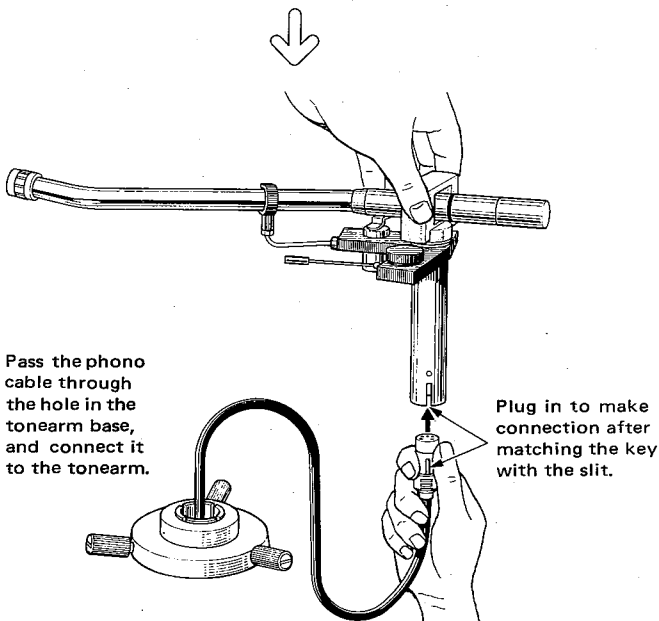
①



Fit the tonearm base locking collar over the tonearm base core, and turn one or two revolutions.

Fig. 3

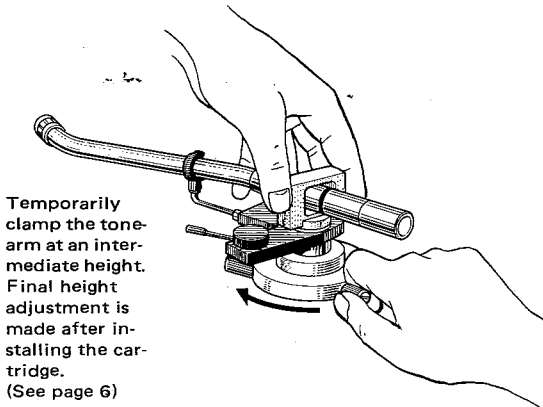
**Note:** Do not tighten the tonearm base locking collar before inserting the tonearm.



Pass the phono cable through the hole in the tonearm base, and connect it to the tonearm.

Plug in to make connection after matching the key with the slit.

Fig. 4



Temporarily clamp the tonearm at an intermediate height. Final height adjustment is made after installing the cartridge. (See page 6)

Fig. 5

## ② Installing Turntable Assembly

This turntable assembly is quite heavy so it should be placed in its final location before proceeding. Be sure to choose the most suitable place. See section "Place for Installation" on page 7. Install the turntable assembly with its four insulators turned fully clockwise.

## ③ Connections

Connect the phono cable, ground wire, and the power supply cord to the turntable assembly.

**Note:** Be sure to keep the power switch at "OFF" position.

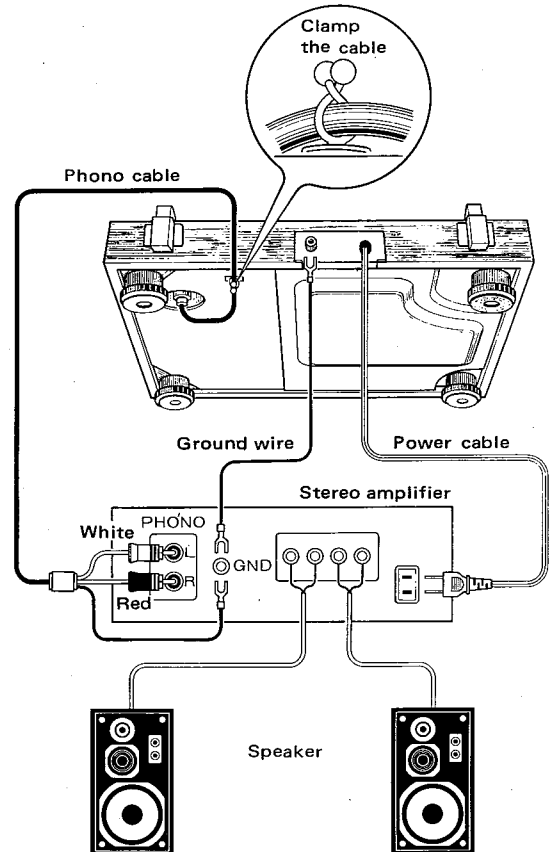
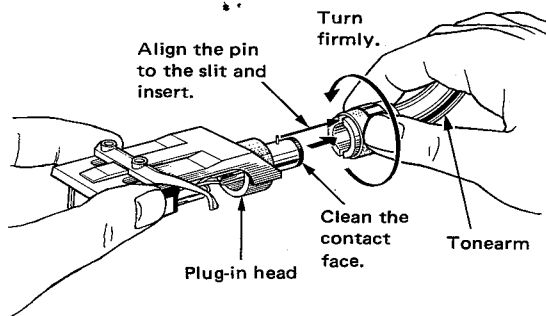


Fig. 6

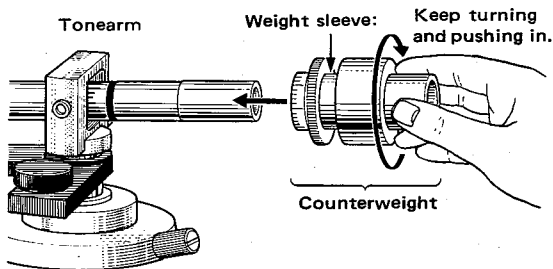
#### ④ Installing Plug-in Head



Installing cartridge refer to Page 6.

Fig. 7

#### ⑤ Installing Counterweight



After fully pushing the counterweight into place, turn it and confirm its freedom of movement.

Fig. 8

#### ⑥ Installing Turntable Platter

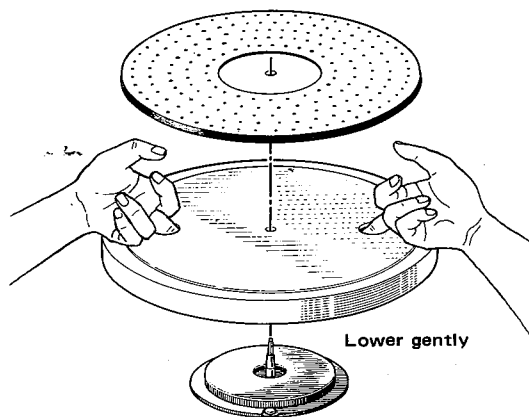


Fig. 9

#### ⑦ Installing Dust Cover

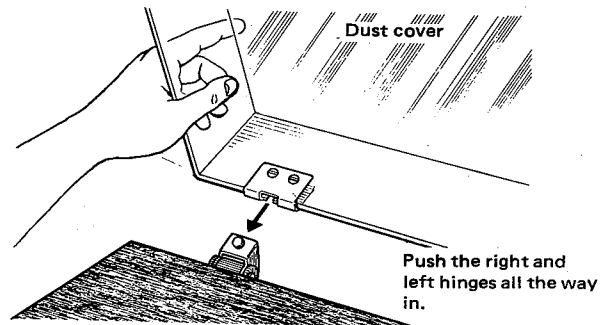


Fig. 10 Installing Dust Cover

#### ⑧ Levelling the Assembly

Close the dust cover. Now check the turntable assembly to make sure that it is perfectly level.

To raise any corner, turn the insulator at that corner counterclockwise. Turn insulator clockwise to lower that corner.

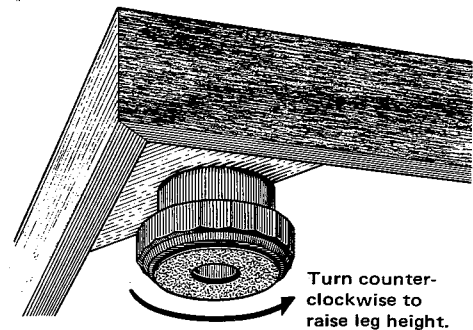


Fig. 11 Levelling the Assembly

# HOW TO ATTACH THE CARTRIDGE

- Cartridge is not supplied with this turntable. (Certain area model is equipped with the DM-II cartridge) Obtain one separately, and install and adjust it as follows.
- All EIA standard type headshells can be used with this turntable.
- Cartridges and headshells are available in various weights. Their combined weight must be within 15 to 25 grams to fit this turntable. When the headshell (11g) supplied with this unit is used, cartridge from 4 to 14g can be used.

## ① Installing Cartridge

- Use spacers supplied with this unit for shallow type cartridges that provide very low stylus height.
- Use proper length screws to fasten the cartridge.
- Fasten cartridge very lightly at first so that it can be moved and adjusted. Tighten the cartridge firmly in place parallel to the headshell only after completing adjustments described below, including the overhang.

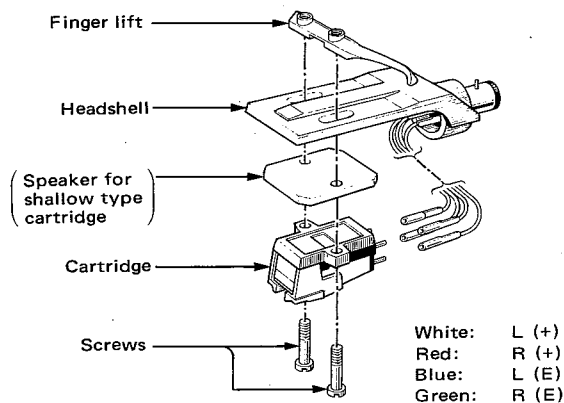


Fig. 12

- When special cartridges such as low-level MC cartridges are used, refer to the relevant operation manual for proper connection method to the amplifier.

## ② Adjusting Tonearm Height

- Plug headshell, with cartridge attached, into the tonearm. Turn the tonearm base collar counterclockwise slightly. Adjust tonearm height so that it is horizontal when the stylus contacts the record surface.
- Then lock collar tightly in place.
- Now check the action of the arm elevation lever. When it is lifted, the stylus should rise above the record surface (Fig. 14). When the lever is pushed down, the arm elevator should not touch the tonearm (Fig. 13).

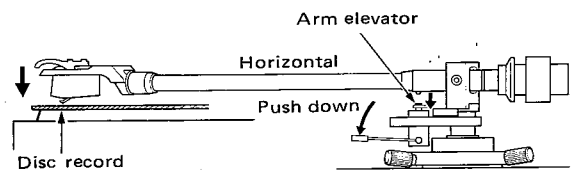


Fig. 13

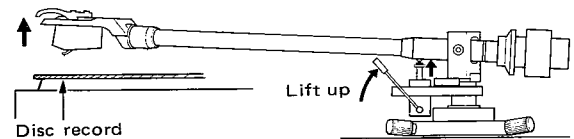


Fig. 14

### Caution:

When mounting or dismounting a plug-in type head:

- First, securely clamp the tonearm in the arm rest.
- Then, either turn the volume control knob of the amplifier to the 0 position, or turn off its power supply.

### ③ Adjusting Overhang

- Put the EP adaptor on the turntable shaft. Move the cartridge, relative to the headshell, until the stylus coincides with the overhang line mark on the EP adaptor. Remove the headshell from the tonearm, and lock the cartridge firmly to the headshell in the adjusted position.
- You will find the graduations on the headshell helpful in making this adjustment.
- The correct tonearm overhang for this turntable is 15 mm. (9/16")

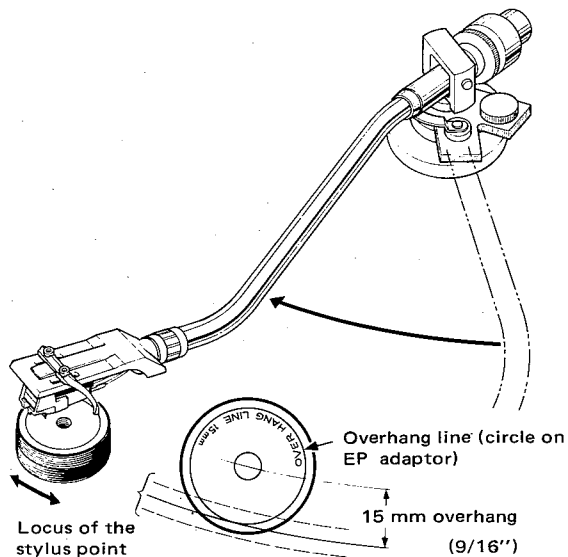


Fig. 15

The dust cover hinges are specially designed to hold the cover in place without external support when it is opened. If the cover should drop down under its own weight, tighten the screw at the bottom of both hinges as shown in Fig. 16.

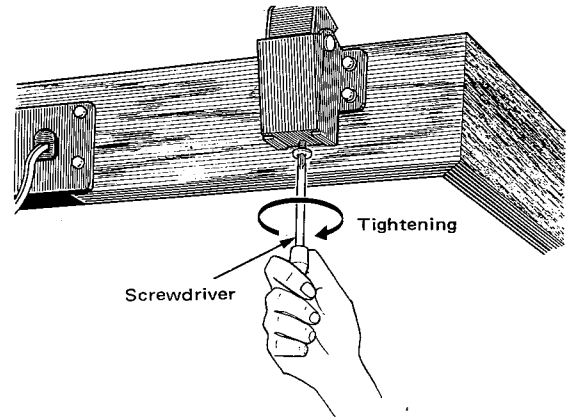


Fig. 16

---

### PLACE FOR INSTALLATION

In order to play records under the best possible conditions, observe the following points:

- Install the turntable on a stable, level surface not affected by external vibrations.
  - Avoid installing the set in direct sunlight or near heat sources such as stoves.
  - Avoid operating on at near freezing temperatures.
  - Avoid dusty, moist places.
  - Install the turntable as far from the speakers as practicable, to prevent acoustic feedback (howling).
-

# TRACKING FORCE ADJUSTMENT

- ① First, set the counterweight centrally as shown.

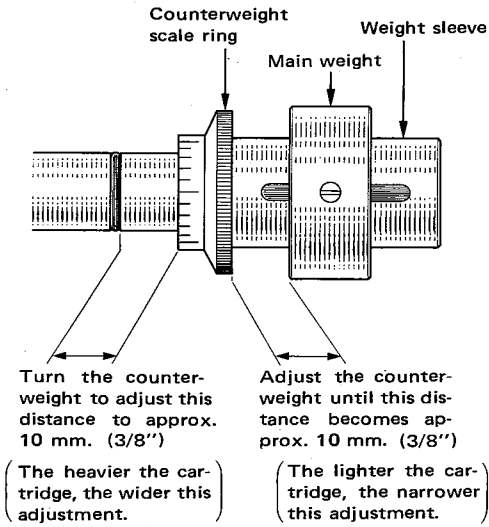


Fig. 17

- ② Push the arm elevation lever down, and disengage the tonearm from the arm rest. Turn the counterweight until the tonearm balances horizontally.

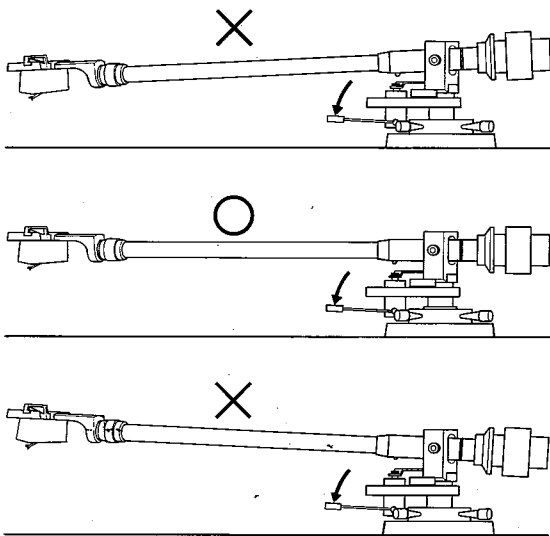


Fig. 18

- ③ Return tonearm to the arm rest. Now turn the counterweight scale ring only and set the "0" graduation to the reference line.

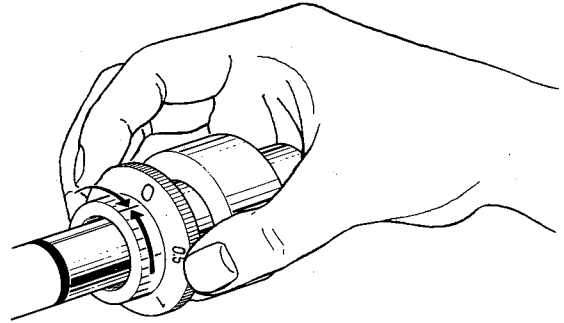


Fig. 19

- ④ Turn the counterweight clockwise until the graduation corresponding to the recommended tracking force is aligned with the reference line.

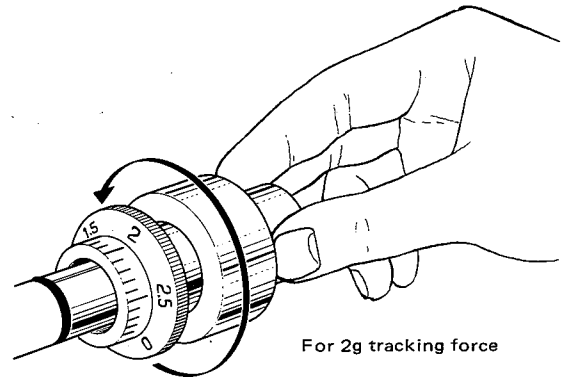


Fig. 20

- ⑤ Set the anti-skating dial also to the same tracking force value.

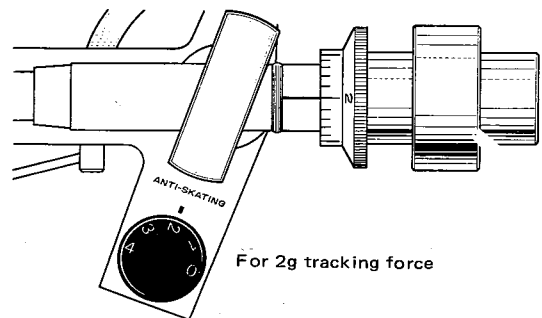


Fig. 21



# RECORD REPRODUCTION

1. Check connections to the amplifier and all amplifier knob settings. Also see that the tracking force adjustment has been correctly made.
2. Push the power switch on. The power indicator will light up.
3. Place a disc record on the turntable platter. Use the EP adaptor for EP discs.
4. For 45 rpm disc records, push the speed selector switch once. Turntable speed is automatically set to 33-1/3 rpm when the power switch is turned on. Speed changes thereafter alternately to 45 rpm and 33-1/3 rpm each time that the speed selector switch is pushed in. The speed indicator always shows the selected speed.
5. Push the start/stop switch to set the turntable platter rotating. When the correct speed is attained, the quartz indicator at the center of the power indicator lights up.
6. After confirming that the arm elevation lever is in the raised position, grip the finger lift of the headshell and bring the stylus into the start position over the disc record.
7. Push the arm elevation lever down. The stylus will descend and engage the disc groove, and music will begin.
8. When the music ends, raise the arm elevation lever. Grip the headshell finger lift, and return the tone-arm to the arm rest.
9. Push the start/stop switch to stop the turntable platter. Each time the start/stop switch is pushed, the turntable platter alternately starts and stops.
10. Switch off the power switch.

## • Power Switch and Power Indicator

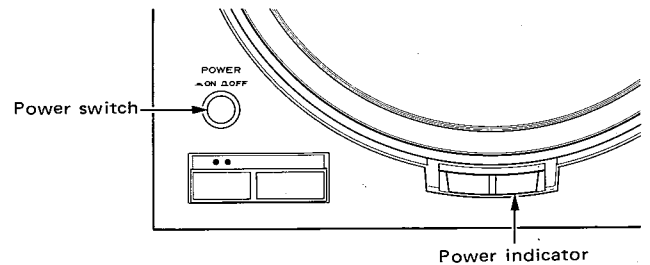


Fig. 22

## • Speed Selector Switch and Speed Indicator

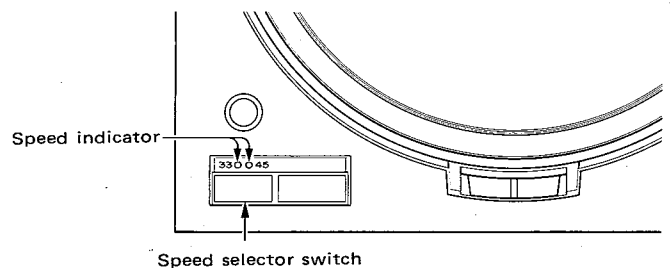


Fig. 23

## • Start/stop Switch and Quartz Indicator

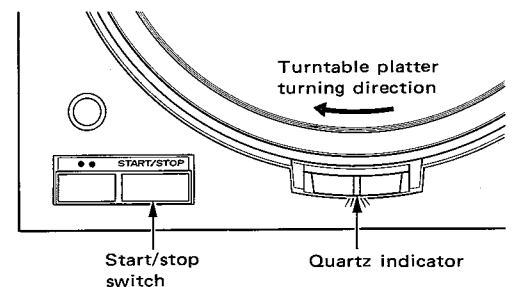


Fig. 24

# MAINTENANCE

- **Cleaning**

Clean the case, cover and other surfaces with a dry cloth or silicone cloth. If the turntable is badly soiled, first, unplug the power cable, and wipe the dirt off with a piece of cloth lightly moistened with soapy water. Never use thinner, alcohol, or other volatile liquids for cleaning.

- **Handling and Life of the Stylus**

The stylus is extremely delicate. Handle it with great care, and remove dust from it only with a soft brush.

The average life of a stylus is 500 plays of 30 cm LP disks. However, stylus life is greatly influenced by treatment during use. If the stylus becomes worn, high pitch tones tend to distort, and reproduction quality deteriorates.

- **Periodical Checks**

When any machine is used for a long time without proper care, some trouble is bound to develop through lack of lubricants, friction, deterioration, etc.

In order to enjoy high quality, trouble-free operation, we recommend that you have it checked at least once every two years, even when there is no specific trouble. You can have your set checked at our nearest local office in your vicinity.

- **Cautions When Moving Your Set**

When you have to transport your turntable over a long distance, for example, in moving, pack it in the packing materials in which it was originally delivered. When no original packing material is available, be sure to pack the turntable platter, the tonearm, the counterweight, the plug-in head (shell and cartridge together) separately.

As the motor of this turntable is a DC motor, the supply frequency does not affect its performance.

- **How to Replace the Stylus**

N-11 is the designation of the replacement stylus for that used in the DM-11 cartridge.

Replacement stylus may be obtained from the dealer from whom you purchased this turntable.

You can replace the stylus easily as shown below.

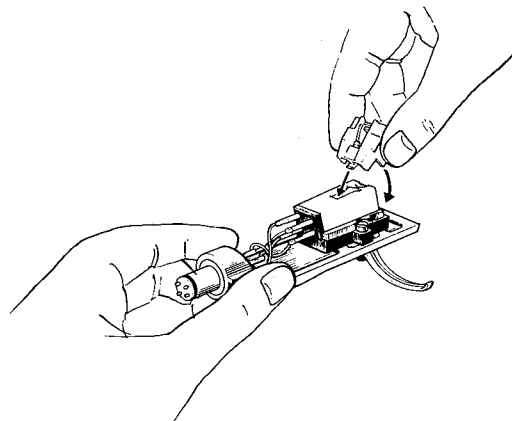


Fig. 25

---

## TROUBLE SHOOTING

### When the Speaker Hums:

- Check the phono cords and the ground lead are properly connected to the turntable and the amplifier.
- Check the plug-in head is inserted properly.
- Change the phono cord arrangement.
- Reverse the polarity of the power supply lines.

### When the Speaker Howls:

- Howling is caused by the transmission of the speaker vibration to the turntable set. Set up the turntable and the speakers as far apart as feasible, or place them on a more stable floor.

# FEATURES

## PHONOMOTOR ASSEMBLY

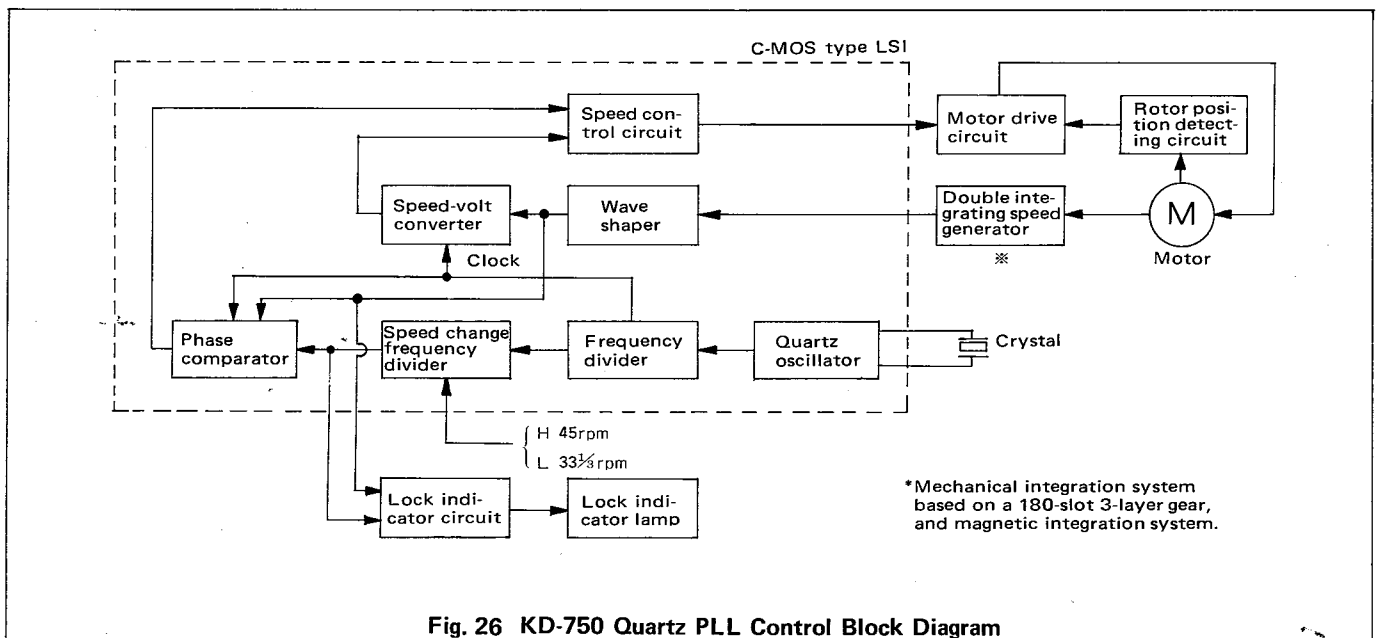
1. S-V quartz-lock-controlled direct-drive type
  - New type 20-pole, 30-slot S-V DC servo-motor
  - Newly developed quartz lock using MOS type FET LSI
  - 180-slot speed proportional integration type speed detector
  - All electronic brake
2. Turntable with an overall moment of inertia of 550 kg · cm<sup>2</sup>
3. Digitally controlled, single-button speed selection switch and start/stop switch
4. Quartz lock indicator
5. LED revolution-speed indicator

## TONARM ASSEMBLY

1. All connector pins gold-plated
2. Collet chuck type tonearm base
3. Reactionless arm elevation mechanism
4. Anti-skating mechanism
5. T-shape magnesium headshell
6. Low capacity phono cord with gold-plated pin plug

## CABINET

1. Kingrose cabinet with ARCB  
ARCB = Anti-Resonance Compression Base
2. Dual suspension and adjustable height insulators



# SPECIFICATIONS

## MOTOR & TURNTABLE

Drive System	Quartz PLL direct drive system
Motor	20 pole, 30 slot brushless D.C. servo motor (Starting torque 1.5 kg.cm)
Turntable Platter	33 cm (13 inch) diameter, aluminum alloy die-cast Weight: 2.6 kg (5.7 lbs.) Moment of inertia: 550 kg.cm <sup>2</sup>
Speeds	2 speeds, 33-1/3 and 45 rpm.
Wow & Flutter	Less than 0.022% (WRMS)
Rumble	DIN weighted better than -74 dB DIN unweighted better than -55 dB
Load Fluctuation	0% (within 120 g of tracking force)
Transient Load Fluctuation	Less than 0.0003% (at 33-1/3 rpm., 400 Hz, 20 g.cm load) Less than 0.00015% (at 33-1/3 rpm., 1,000 kHz, 20 g.cm load)
Starting Time	Within 1.8 sec.
Platter Speed Deviation	Less than 0.002%
Time Drift	Less than 0.0002%/h
Temperature Drift	Less than 0.00002%/C°

## TONEARM

Type	Static-balanced type, S-shaped pipe arm, EIA plug-in connector
Effective Tonearm Length	245 mm (9-5/8 inch)
Overhang	15 mm (9/16 inch)
Tracking Error	+1.5 to -1.0 degree
Tracking Force Variable Range	0 to 3 grams (0.1 g step)
Usable Cartridge Weight	4 to 14 grams
Adjustable Height Range	Within 6 mm (1/4 inch)
Arm Base	Collet chuck type
Headshell	Magnesium alloy die-cast type Weight: 11 g

## CARTRIDGE

(U.S.A., Canada, Europe and U.K. model are not equipped with the DM-11 cartridge)

Furnished Cartridge	DM-11
Stylus	N-11
Frequency Response	20 Hz to 20,000 Hz
Output Voltage	3.5 mV (1,000 Hz, 5 cm/sec.)
Optimum Tracking Force	2.0 ± 0.3 grams
Load Impedance	50 kohms
Channel Separation	Better than 27 dB (1,000 Hz)
Replacement Stylus	N-11

## MISCELLANEOUS

Power Requirement	AC 120V, 60 Hz: U.S.A., Canada model AC 240V, 50 Hz: U.K. Australia model AC 120V/220V (switchable) 50/60 Hz: Others
Power Consumption	35.0 watts
Dimensions	W 490 mm (19-5/16") H 165 mm (6-1/2") D 423 mm (16-5/8")
Weight	17.5 kg (38.6 lbs.)

**SUPPLIED ACCESSORIES:** Low capacitance phono cables with gold plated terminal, EP adaptor with overhang gauge, screw driver, silicon cloth, ground wire

## CABINET

Material	Particle board laminated with piano-finished kingrose veneer and a anti-resonance compression base (ARCB) are combined in the construction of cabinet.
Cabinet Ass'y Weight	7.5 kg (16.5 lbs.)
ARCB Weight	3.5 kg (7.7 lbs.)

**ADDITIONAL FEATURES:** Illuminated quartz lock and power indicator  
Electric-controlled brake  
Arm-height adjuster  
Collet chuck arm base  
Anti-skating device  
Viscous-damped cueing device  
LED speed indicator  
Dual suspension and adjustable insulator  
Free-stop action acrylic dust cover (Weight 1.2 kg)  
Tracking force direct readout counter  
Headshell stand

**Note:** Kenwood follows a policy of continuous advancements in development. For this reason specifications may be changed without notice.

 *the sound approach to quality*  
**KENWOOD**